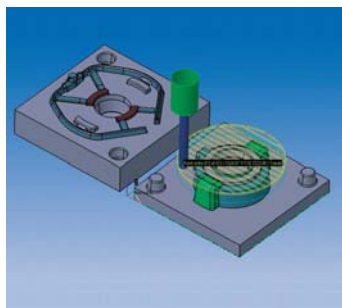
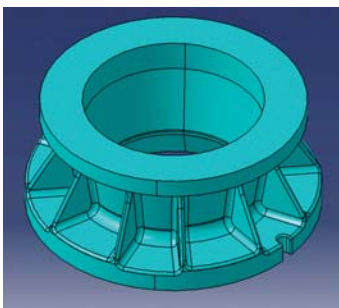




FEASIBILITY



The technical assessment of a design is a key factor in both the management and in the achievement of a perfect product.

As soon as the data required for a quotation are available, a first feasibility appraisal dictates the outcome of a project, of a subsequent order.

The feasibility study covers: quality of end product, risk assessment, selection of the most appropriate technical process and potential outsourcing.

The feasibility study allows you to liaise with our R&D department throughout the process.

Established in 1946, as an industry specialist of highly technical products, you will benefit from our know-how and accomplished flexibility.

The latest digital & technological developments are used in the production of our moulds. Currently we use the CAD-CAM software.



SASMOULIN

Parc d'Activités du Vert Galant • 6, avenue de l'Eguillette • 95310 Saint Ouen l'Aumône
Adresse postale : BP 10703 • 95004 Cergy Pontoise Cedex
Téléphone : 33(0)1 34 40 35 00 • Télécopie : 33(0)1 34 40 02 23
E-mail : contact@sasmoulin.com

www.sasmoulin.com